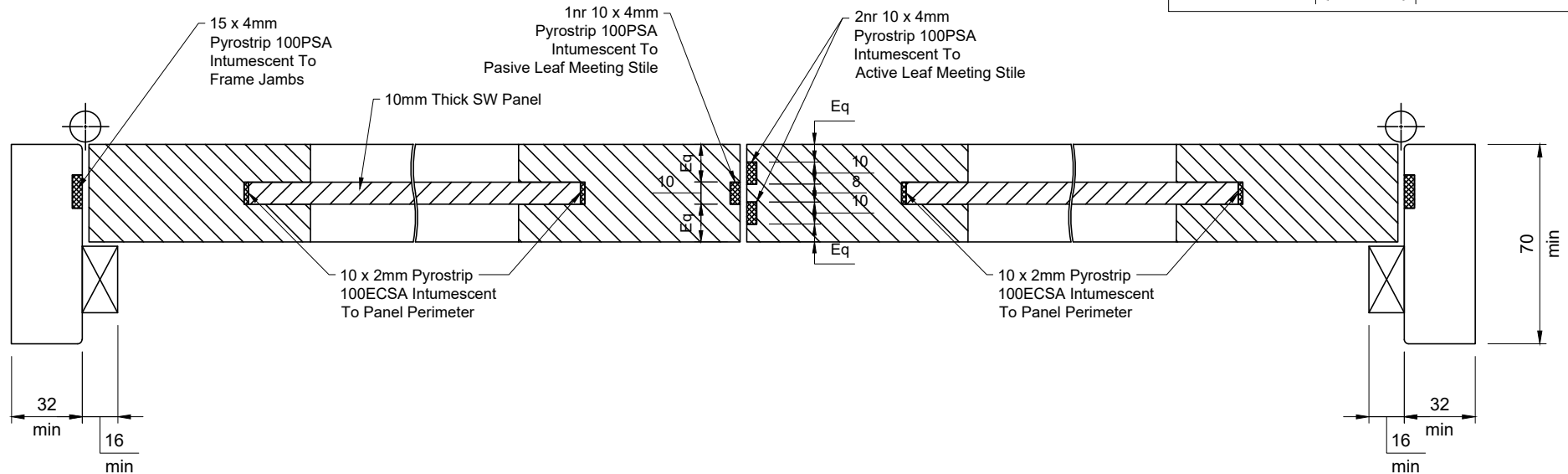
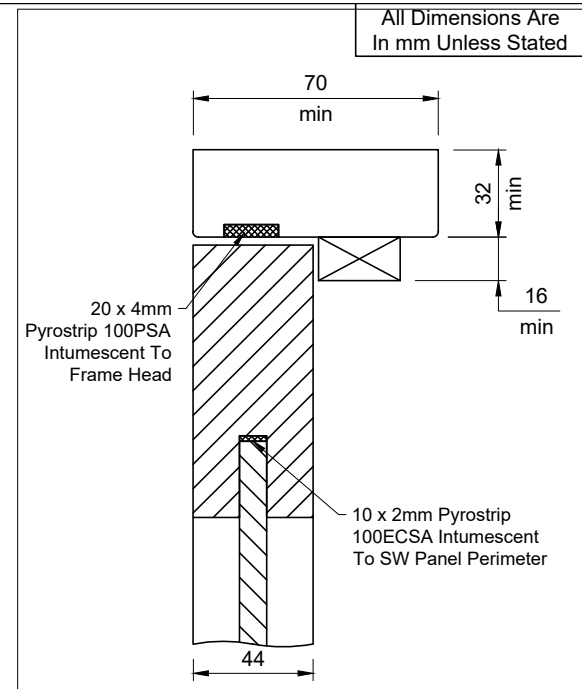


**Notes:**


- For Further Details See Technical Datasheet & Field of Application Report PAR/24514/01
- Stile & Rail Minimum Dimensions Vary By Material Type
- Details Noted Are For Flat Panel Door Leaves Only
- All Intumescent Materials & SW Panels By Mann McGowan Ltd
- Architraves Are Required On All Door Installations
- See Seperate Drawings For Glazing Details
- See Technical For Full Specification Check Prior To Quotation



Do Not Scale.

If In Doubt Ask!

Description: **General Section - SW Flat Panel Doors - FD30**

Drawn By: <b>P. Brash</b>	Approved: <b>Approved</b>	Revision:	Cert / FoA Ref: <b>PAR/24514/01</b>	Date: <b>13/05/2026</b>	Drawing No: <b>DP25078</b>
Size: <b>See Above</b>	Tolerance: <b>+/- 0.25mm</b>		Fire Rating: <b>FD30</b>		Rev <b>00</b>
Job No:	© Doorpac Ltd				 Unit 6, Ranskill Court, Sheffield, S9 9FZ